

Integral Flanged Window AFTER Water-Resistive Barrier (WRB) is Installed

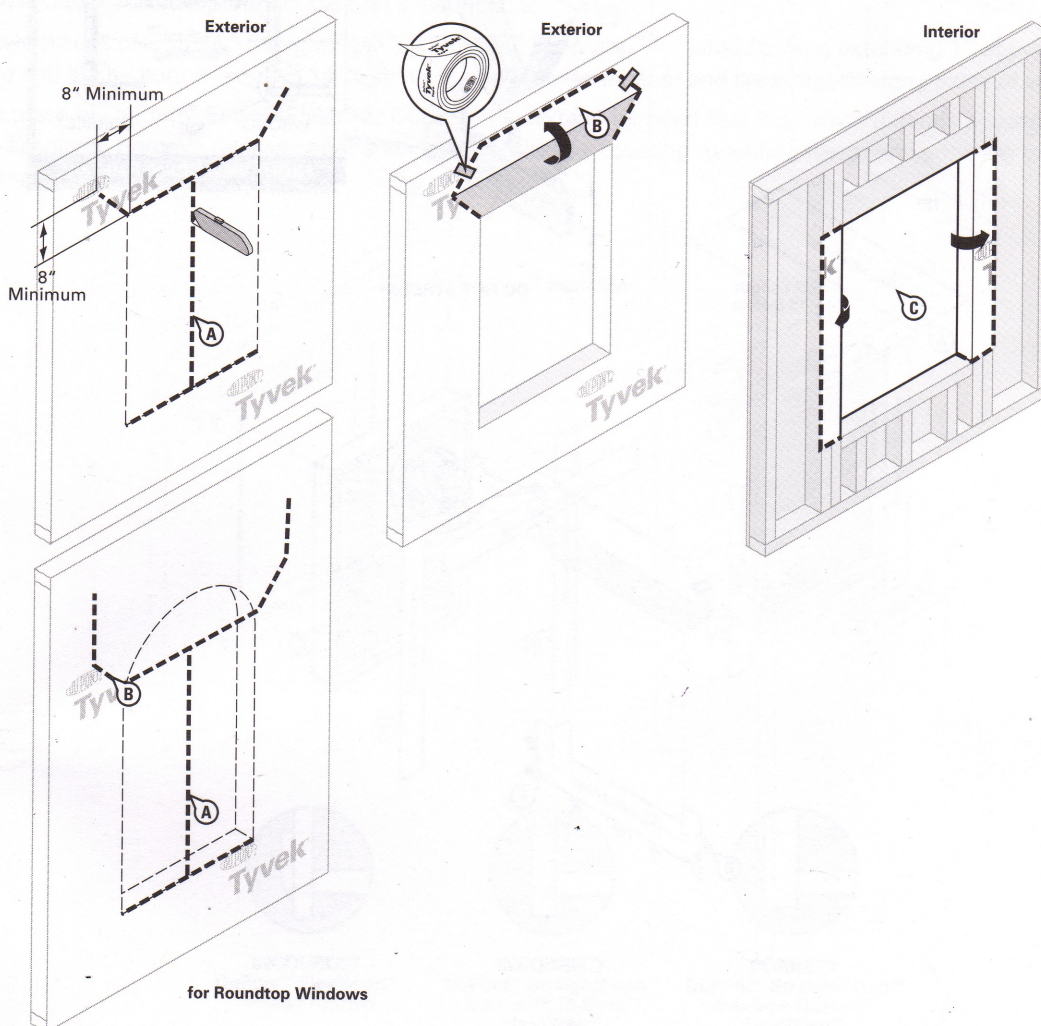
Method applies to following products:

- DuPont™ StraightFlash™
- DuPont™ FlexWrap™

STEP 1

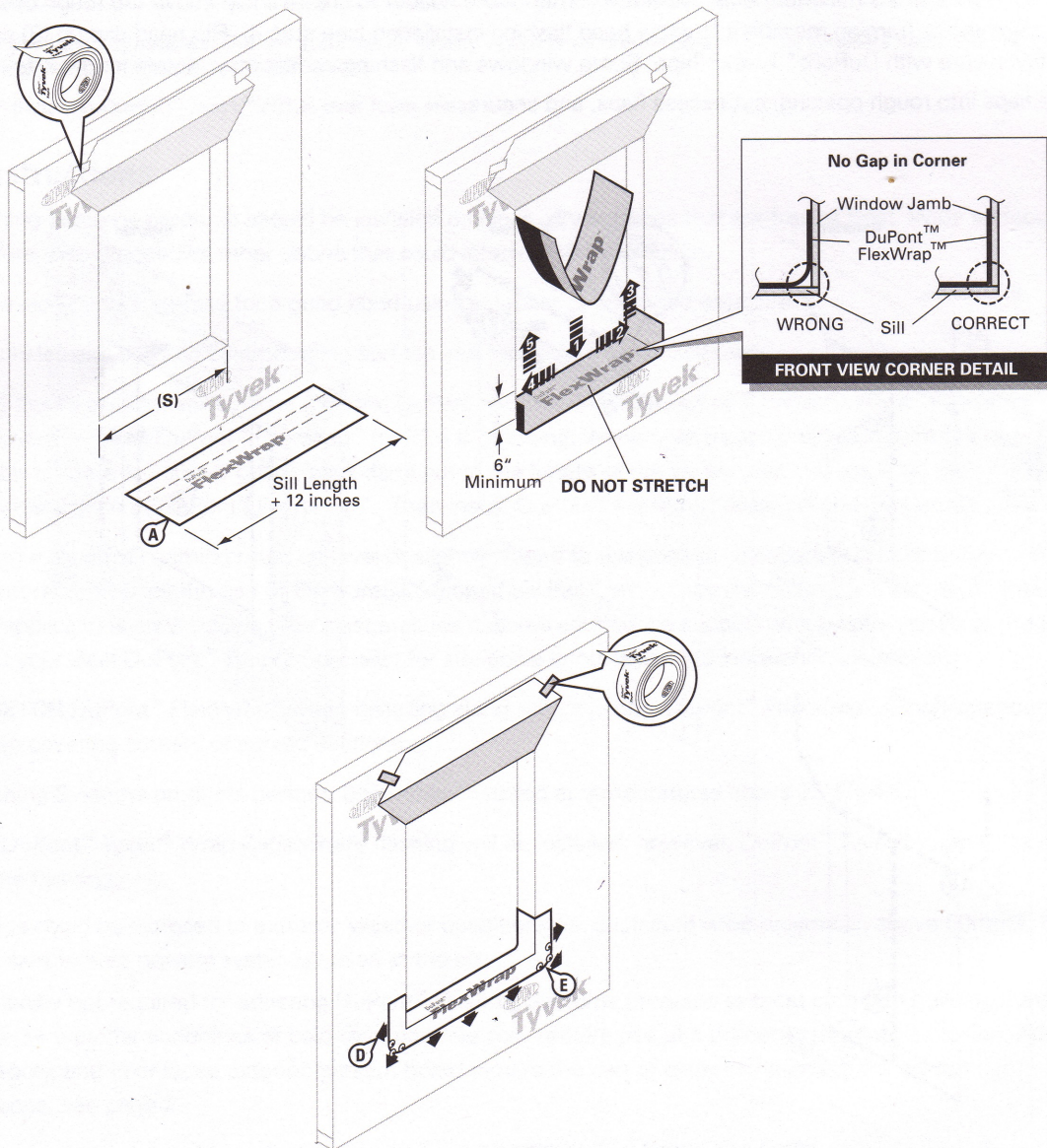
Prepare WRB for window installation:

- Make an "I-Cut" (Standard I-Cut) in the WRB (modified I-Cut is also accepted). For an "I-Cut", begin with a horizontal cut across the bottom and the top of the window frame (for round top windows, the cut should begin above the mull joint). From the center, cut straight down to the sill.
- Cut two 45 degree slits a minimum of 8" from the corner of the header to create a flap above the rough opening to expose sheathing or framing members to allow head flashing installation (see step 4). Flip head flap up (B) and temporarily secure with DuPont™ Tyvek® Tape. Some windows and flashing widths may require longer slits.
- Fold side flaps into rough opening, cut excess flaps, and secure.



STEP 2

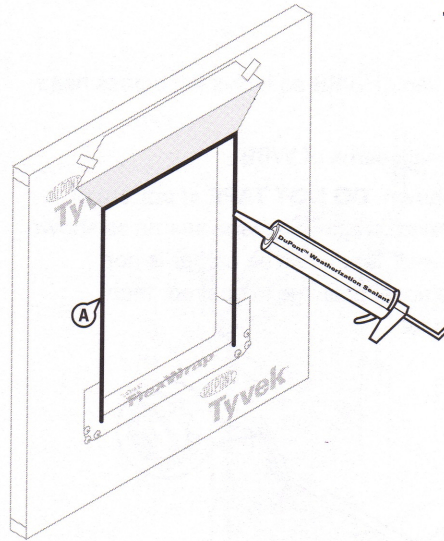
- A. Cut DuPont™ FlexWrap™ at least 12" longer than width of rough opening sill (S).
- B. Remove first piece of release paper, cover horizontal sill by aligning inside edge of sill, and adhere into rough opening along sill and up jambs (min. 6" on each side).
- C. Remove second release paper.
- D. Fan out DuPont™ FlexWrap™ at bottom corners onto face of wall. Coverage of DuPont™ FlexWrap™ should be 2" to 3" onto the face of the wall.
- E. **SECURE EDGES OF DUPONT™ FLEXWRAP™ WITH DUPONT RECOMMENDED FASTENERS** along the bottom outer edge of the DuPont™ FlexWrap™ at fanned corners.



DuPont™ Flashing Systems Installation Guidelines

STEP 3

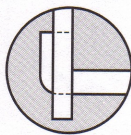
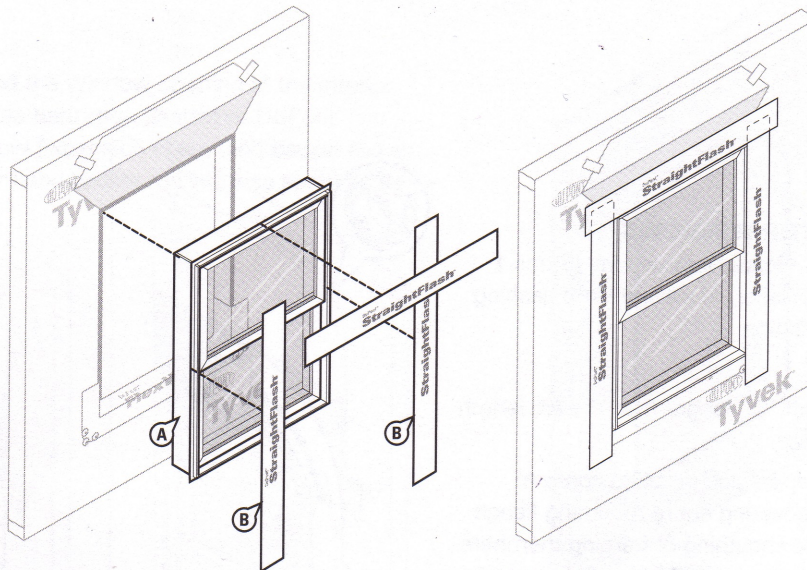
- A. Apply continuous bead of DuPont™ Weatherization Sealant at the window head and jambs to wall or back side of window mounting flange. **DO NOT APPLY CONTINUOUS SEALANT BEAD ACROSS BOTTOM SILL** to allow for drainage.



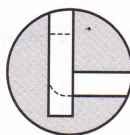
FOR RECTANGULAR WINDOWS

STEP 4

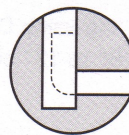
- A. Install window according to manufacturer's instructions.
- B. Cut two pieces of DuPont™ StraightFlash™ or DuPont™ FlexWrap™ for jamb flashing extending 1" above window head flange and below bottom edge of sill flashing. Remove release paper and press tightly along sides of window frame.
- C. Cut a piece of DuPont™ StraightFlash™ or DuPont™ FlexWrap™ for head flashing, which extends beyond outer edges of jamb flashings. Remove release paper and install completely covering mounting flange and adhering to exposed sheathing or framing members.



INCORRECT
DuPont™ FlexWrap™
reverse flashed



INCORRECT
DuPont™ StraightFlash™
flush with DuPont™
FlexWrap™

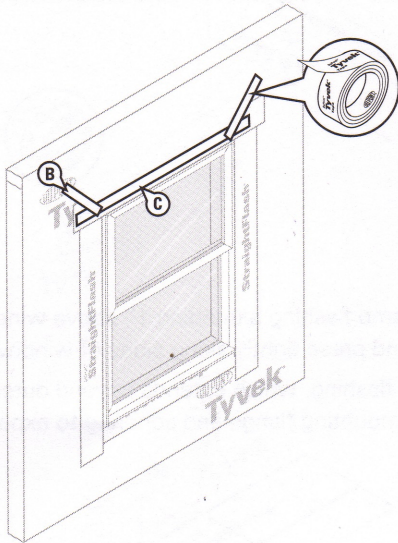


CORRECT
DuPont™ StraightFlash™
overlaps DuPont™
FlexWrap™

NOTE: Do not reverse shingle. DuPont™ StraightFlash™ must overlap DuPont™ FlexWrap™ and adhere to the substrate.

STEP 5

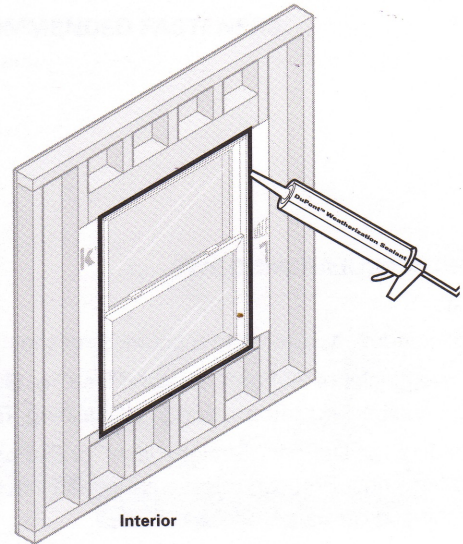
- A. Flip down upper flap of WRB so it lays flat across head flashing.
- B. Tape down diagonal seams of WRB.
- C. Tape seams as shown. **DO NOT TAPE** at bottom of window. At the head, continuous tape seams as shown with DuPont™ Tyvek® Tape; if an air barrier is not required or if additional drainage is desired, then skip-tape at the head.



STEP 6

Final Step

- A. Tool sealant around the window opening at the interior, using DuPont™ Weatherization Sealant or DuPont Recommended Low Expansion Foam (and backer rod as necessary). Sealant and backer rod will also serve as a back dam.

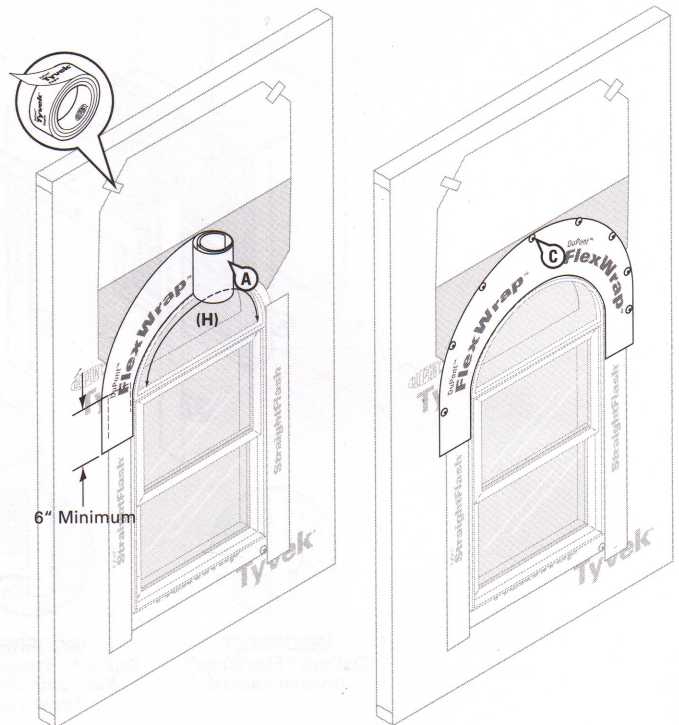


STEP 4 - FOR ROUNDTOP WINDOWS

NOTE: Follow rectangular window instructions (Steps 1 through 4B) for proper installation of sill and jamb flashing prior to head flashing installation.

Install head flashing

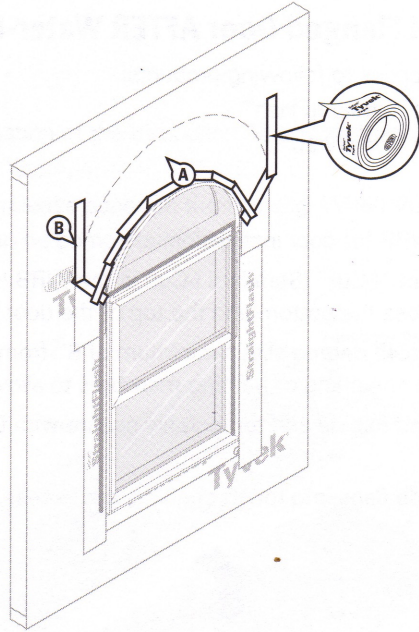
- A. Cut head flashing at least 12" longer than the arc length (H) of round-top window.
- B. Remove both release papers and install to conform around top of window, covering entire mounting flange and adhering to exposed sheathing or framing members. Head flashing should overlap jamb flashings at least 6".
- C. Secure outer edges of head flashing using DuPont Recommended Fasteners every 6" to 12" along outer perimeter.



DuPont™ Flashing Systems Installation Guidelines

STEP 5

- A. Flip down upper flap of WRB so it lays flat across head flashing.
- B. Tape seams as shown. **DO NOT TAPE** at bottom of window. At the head, continuous tape seams as shown with DuPont™ Tyvek® Tape; if an air barrier is not required or if additional drainage is desired, then skip-tape at the head.



STEP 6

Final Step

- A. Tool sealant around the window opening at the interior, using DuPont™ Weatherization Sealant or DuPont Recommended Low Expansion Foam (and backer rod as necessary). Sealant and backer rod will also serve as a back dam.

