

Acceptable Designs for Increased Sill Plate Overhang

L. Swaziek
 4/6/10

➤ Floor Joists Perpendicular to Foundation Wall

Notes:

1. s.. Comm 21.22 permits joists to overhang by their actual depth.
2. s. Comm 21.22(1)(d) requires a full width sill plate over masonry walls with open top course.
3. These examples for uniform loading conditions. Concentrated loads may require additional blocking.
4. Examples are for solid sawn lumber. Consult with engineered lumber providers to get acceptable installations.

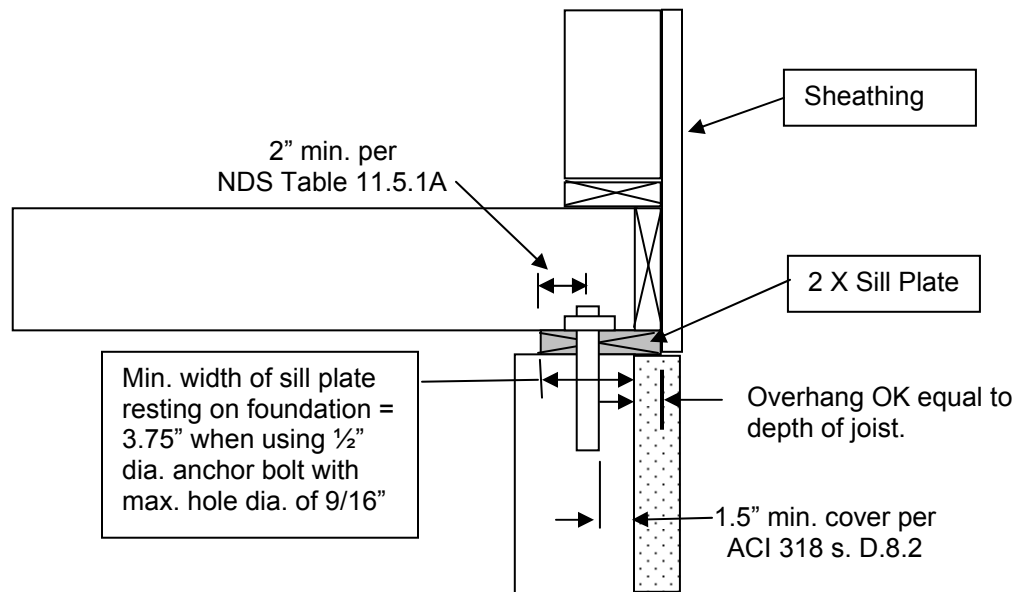


Figure 1
Floor framing perpendicular to foundation wall

➤ Floor Joists Parallel to Foundation Wall

Notes:

1. Sill plate overhang limited to $\frac{1}{2}$ the nominal thickness when rim joist is resting on outer edge. See Figure 4.
2. s. Comm 21.02 (1)(d) requires a full width sill plate over open-core masonry units.
3. These examples for uniform loading conditions. Concentrated loads may require additional blocking.
4. Examples are for solid sawn lumber. Consult with engineered lumber providers to get acceptable installations.

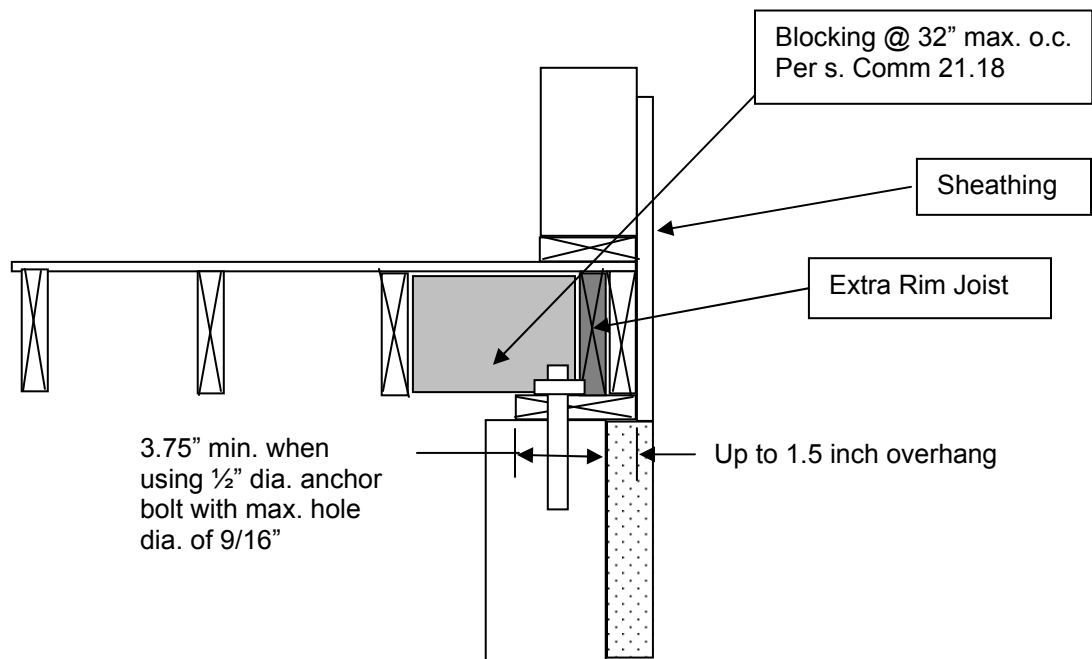


Figure 2
Floor framing parallel to foundation wall (Option 1)

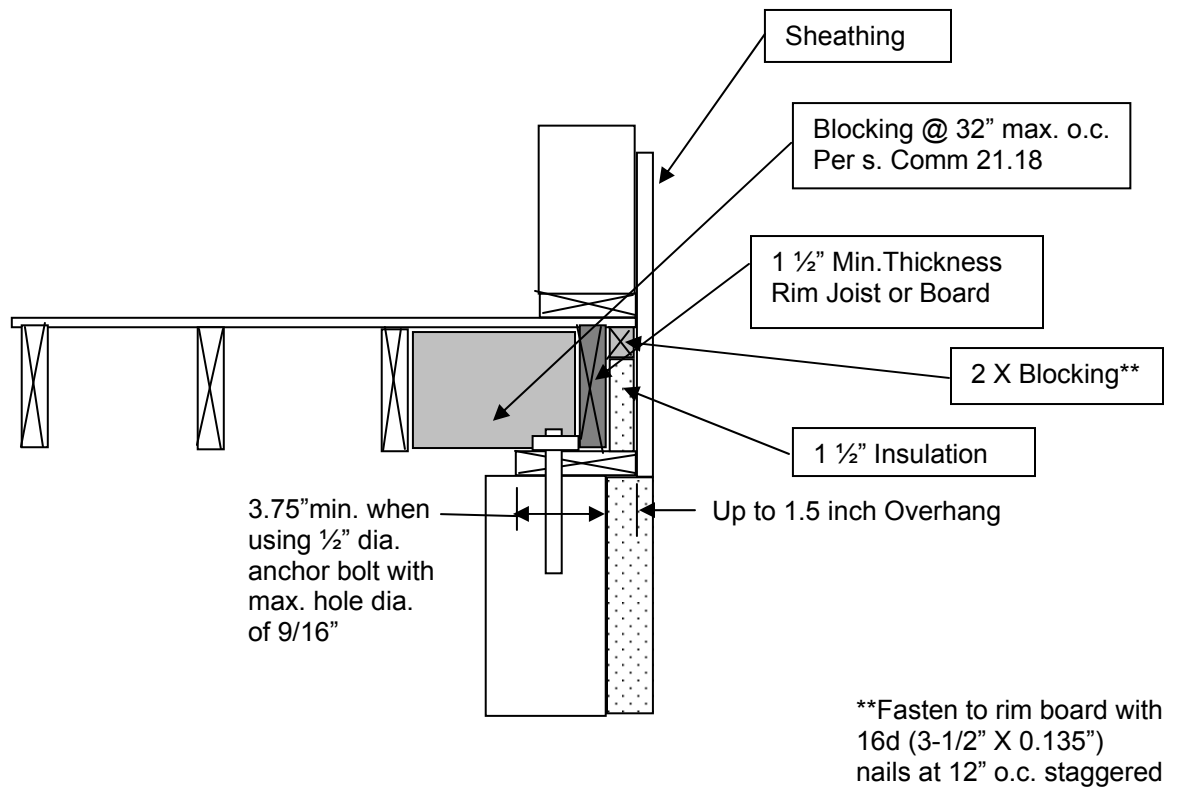


Figure 2a
Floor framing parallel to foundation wall (Option 1a)

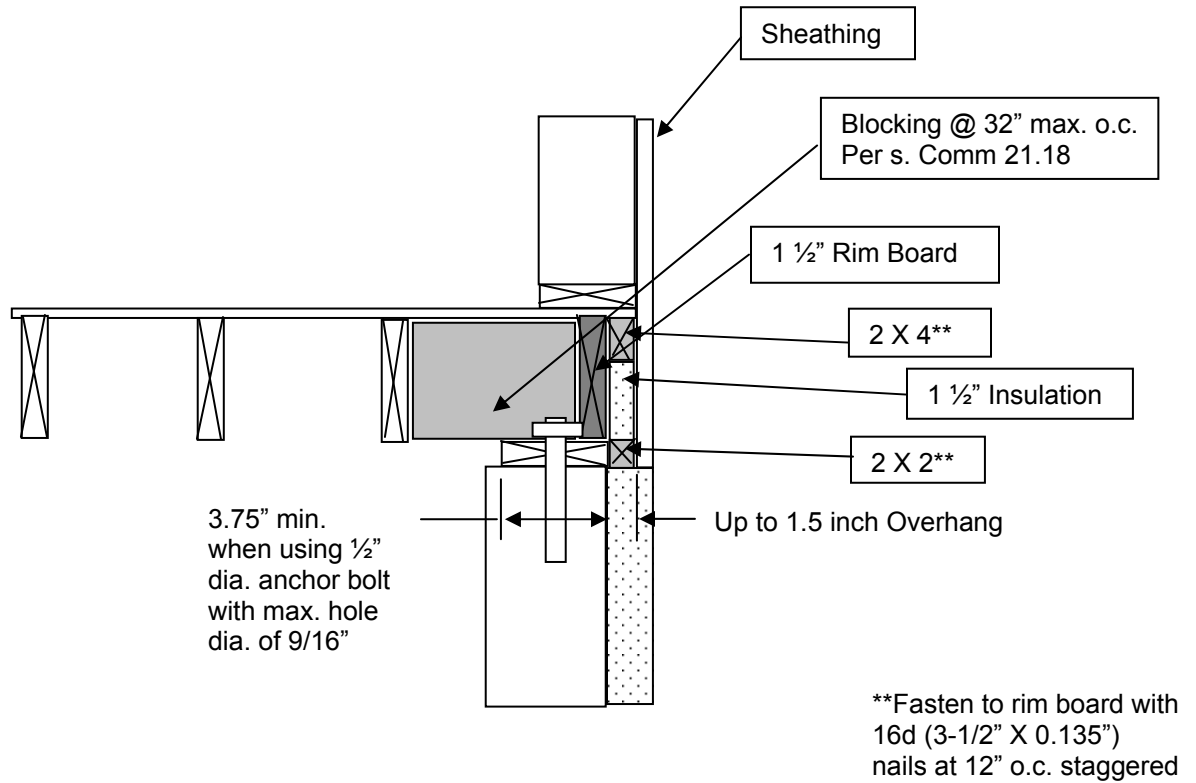


Figure 2b
Floor framing parallel to foundation wall (Option 1b)

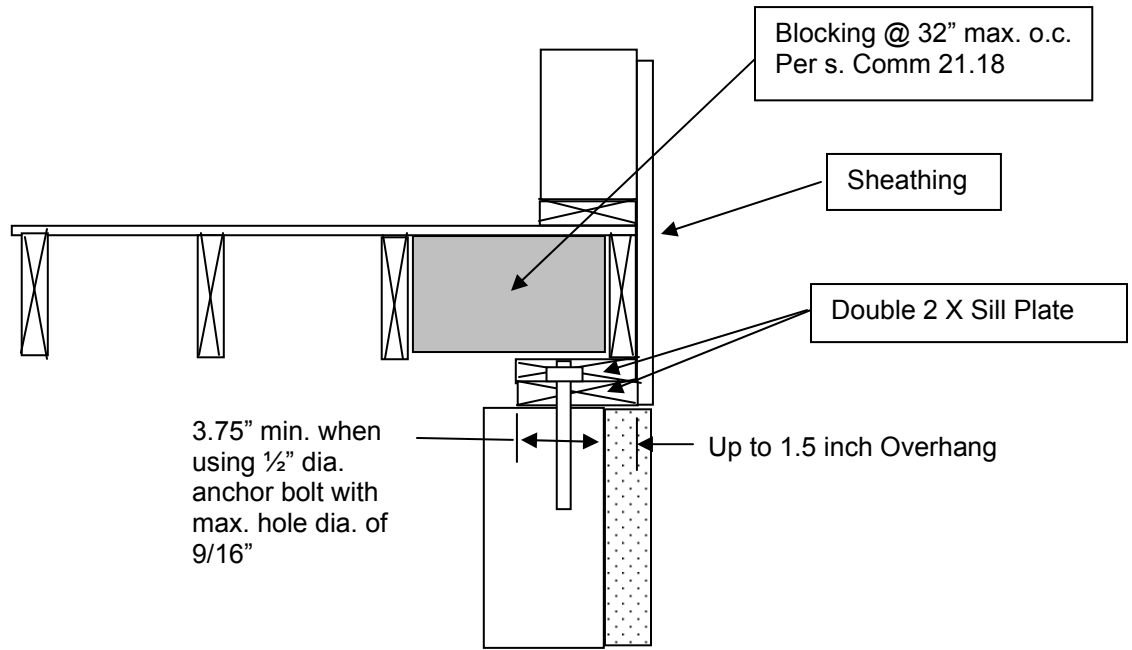


Figure 3
Floor framing parallel to foundation wall (Option 2)

➤ **Stud Wall directly on Sill Plate**

Notes:

5. Sill plate overhang limited to $\frac{1}{2}$ the nominal thickness when rim joist is resting on outer edge.
6. s. Comm 21.22 (1)(d) requires a full width sill plate over open-core masonry units.
7. These examples for uniform loading conditions. Concentrated loads may require additional blocking.
8. Examples are for solid sawn lumber. Consult with engineered lumber providers to get acceptable installations.

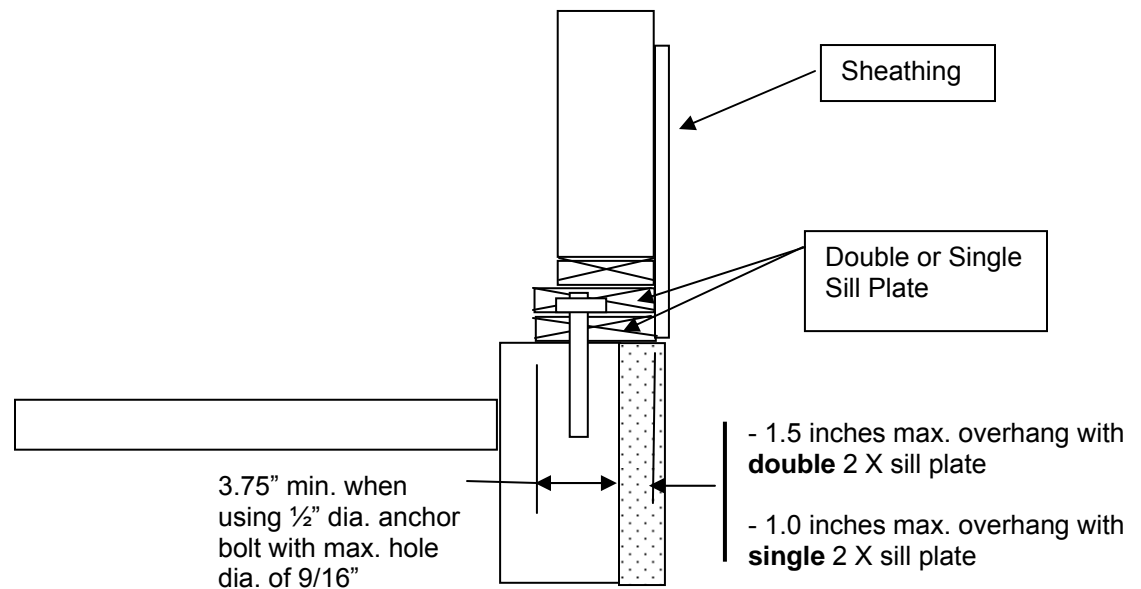


Figure 4
Stud wall directly on sill plate